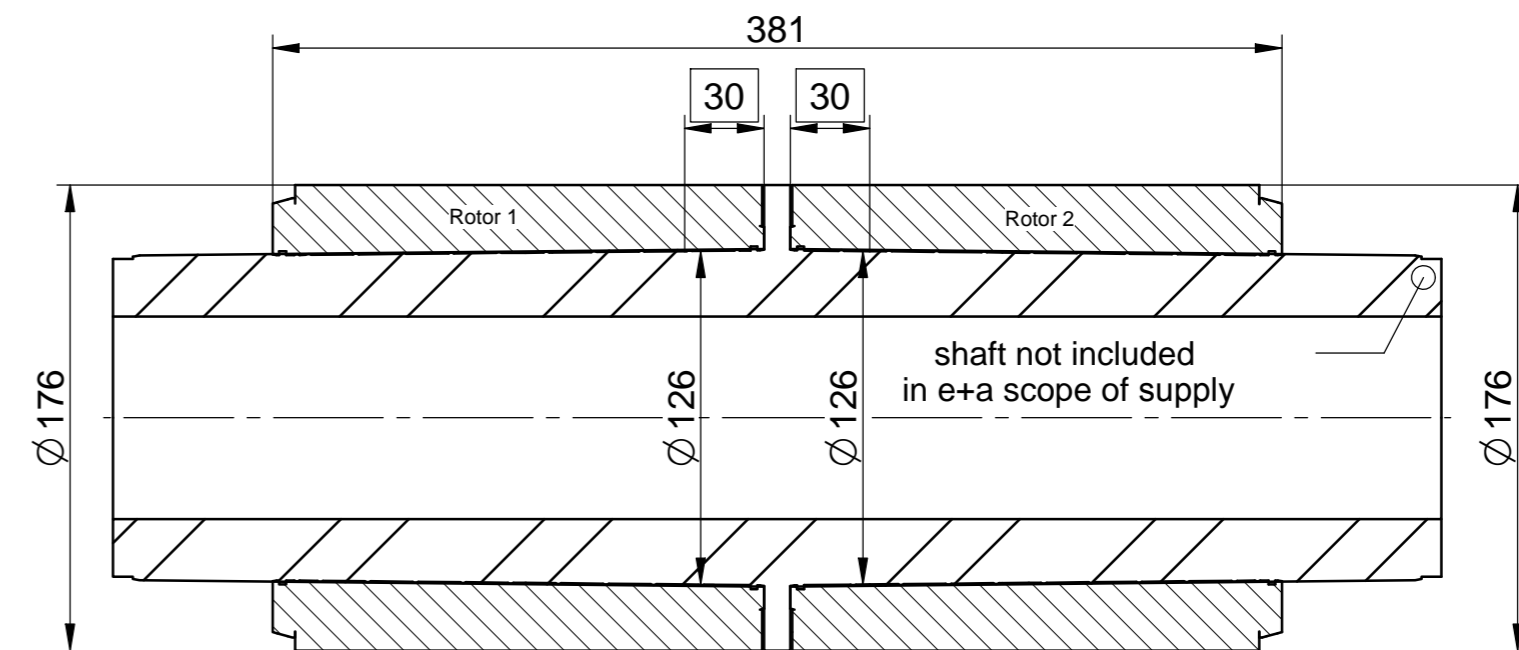
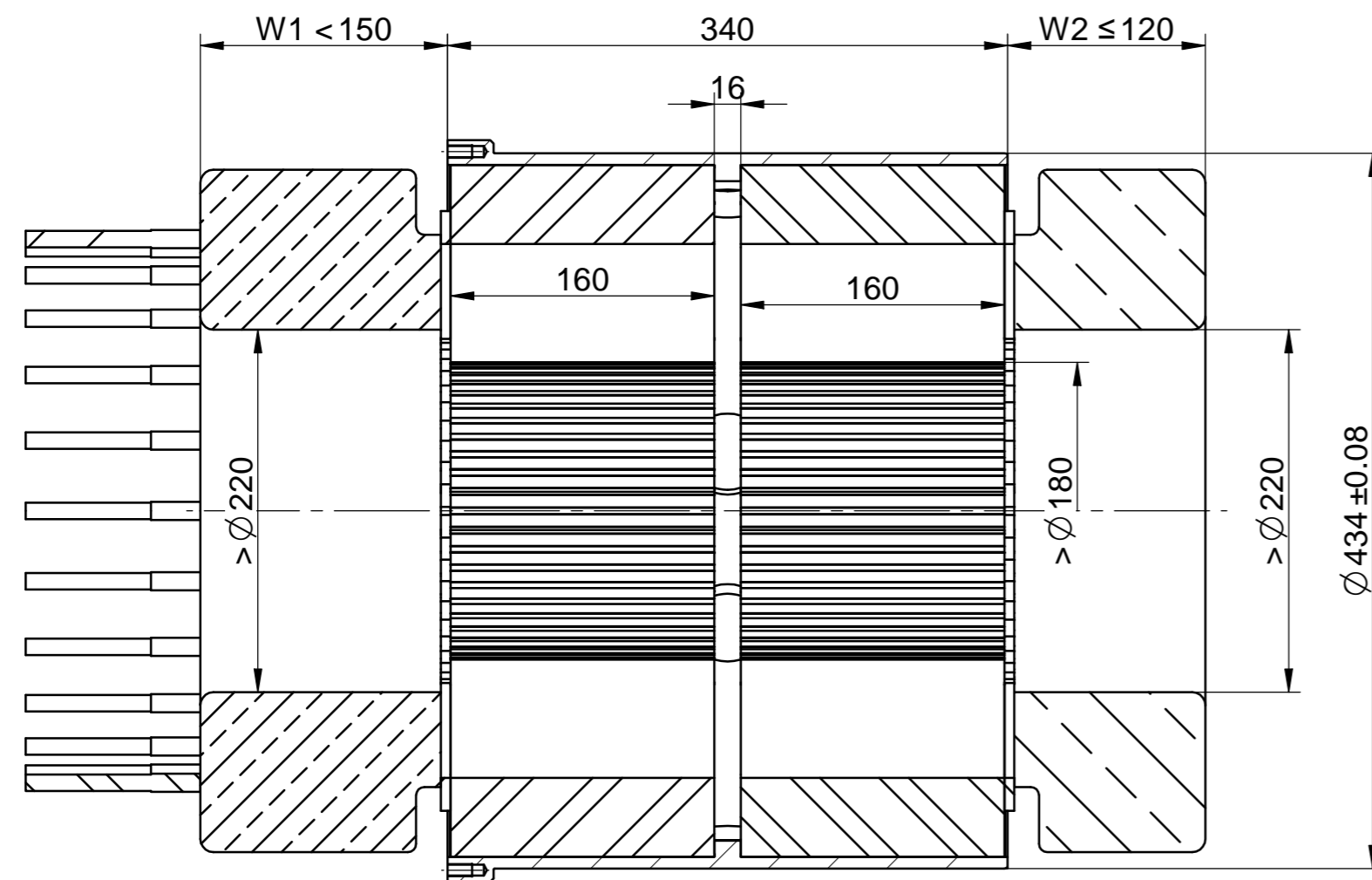


Motors for Turbo-Compressors & Generators

1.6MW 25,000 RPM
mSpW 42/32-4-VPI



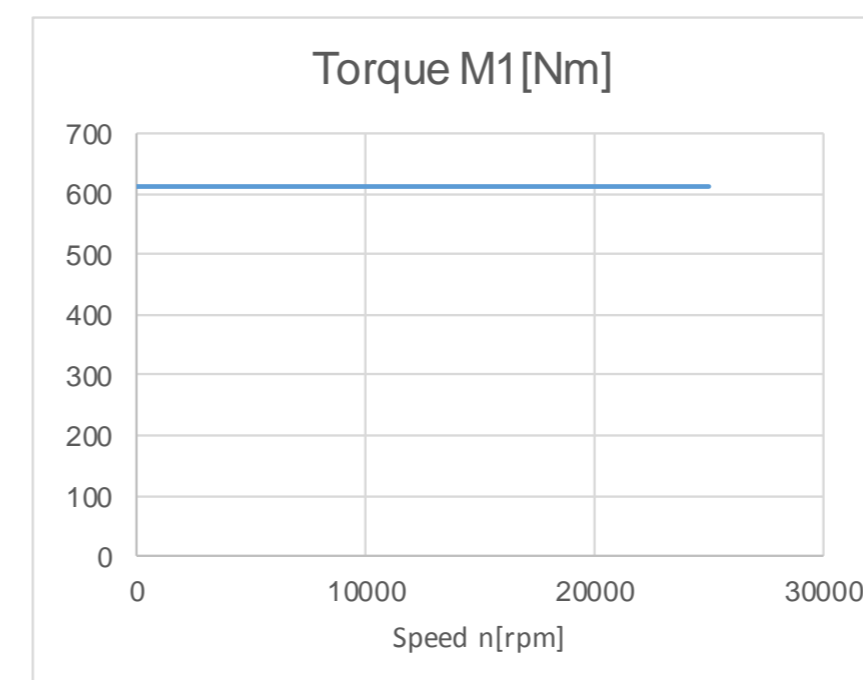
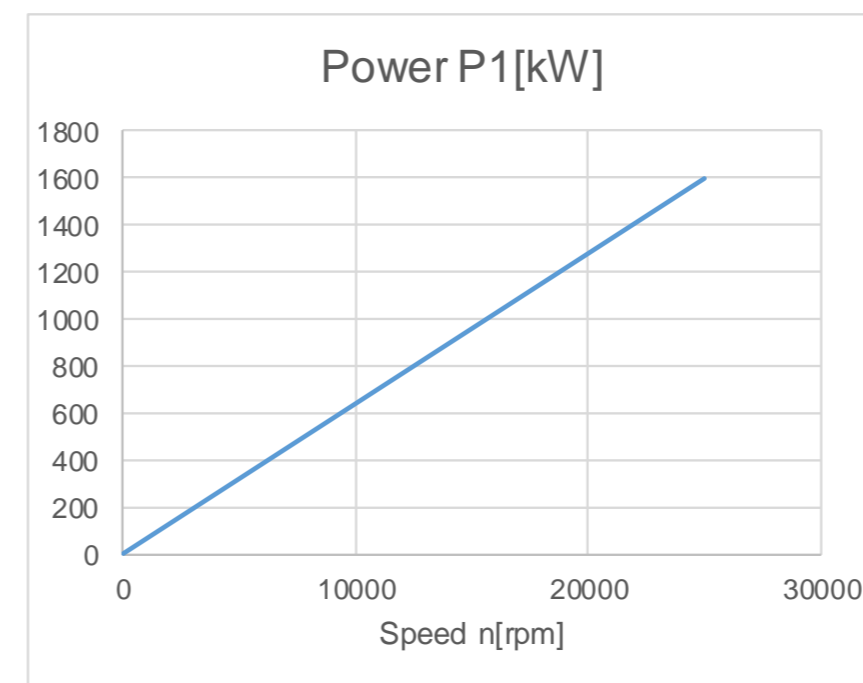
dimensions in mm

Specifications				
Speed	n	25,000	30,000	rpm
Frequency	f1	834	1,000	Hz
Power	P1	1,600		kW
Voltage	U1	600		Vrms
Current	I1	2,100		Arms

Notes:

- 4-pole stator and PM-rotor set
- VPI end windings for refrigerant cooling (compatible with R134a and R245)
- Optional ALKA version with cooling jacket for effective liquid cooling
- Efficiency with sinusoidal current supply > 98%
- H-class insulation system for winding temperatures up to 180°C (356°F)
- type and number of temperature probes: customer specified
- cable outlet configuration: customer specified
- PM-rotor with tapered ID and carbon fiber retaining sleeve
- rotor mounted by pushing onto tapered shaft
- maximum structural rotor speed $N_{max} = 30,000$ rpm
- suitable for motor and generator applications

S1 Continuous Power & Torque



Weight = 12.087kg
Inertia :
I1= 6.53 kg*dm² per Rotor
I2= 6.53 kg*dm²
I3= 6.49 kg*dm²

